



## ***COMPANY PROFILE***

## **INDEX**

- Page 3. Introduction
- Page 4. Machinery
- Page 7. Services

## **INTRODUCTION**

### **About Us**

Tigre Solutions has specialised automation experience in liquid packaging and product handling. We assess and design liquid filling equipment, as well as all the relative auxiliary equipment, enabling us to offer complete automated line solutions.

### **Legalities**

Caldeira Engineering CC (reg: 2002/010396/23), trading as: Tigre Solutions. Manny Caldeira is the only member.

### **Mission Statement**

Tigre Solutions aims to supply professional services and products at a competitive rate.

### **Contact Us**

#### ***Tigre Solutions***

Telephone: 031 700 1942  
Fax: 086 572 2560  
Cell: 078 212 1110  
Email: [manny@tigre.co.za](mailto:manny@tigre.co.za)  
Website: [www.tigre.co.za](http://www.tigre.co.za)

#### ***Address***

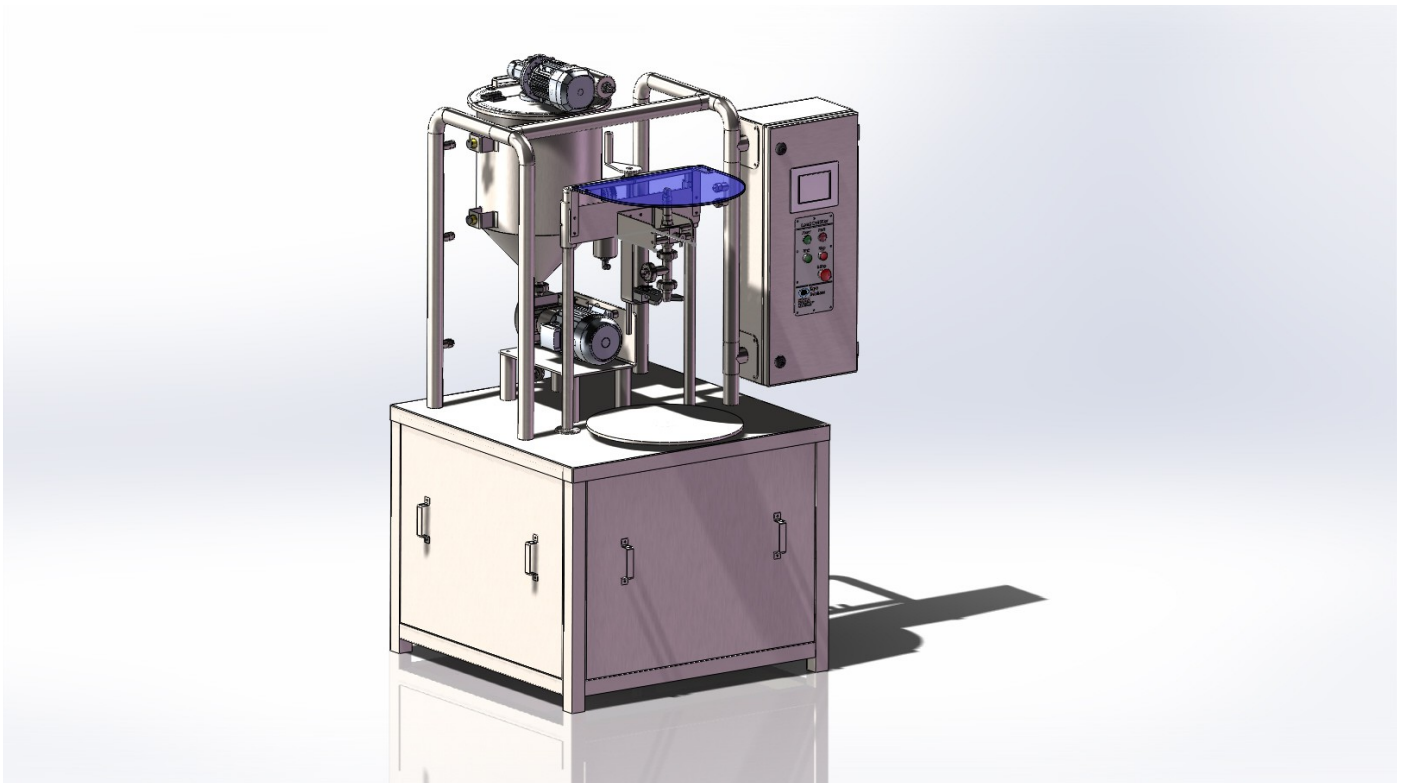
Unit 7  
20 Hillclimb Road  
Westemead  
Kwazulu Natal  
3610

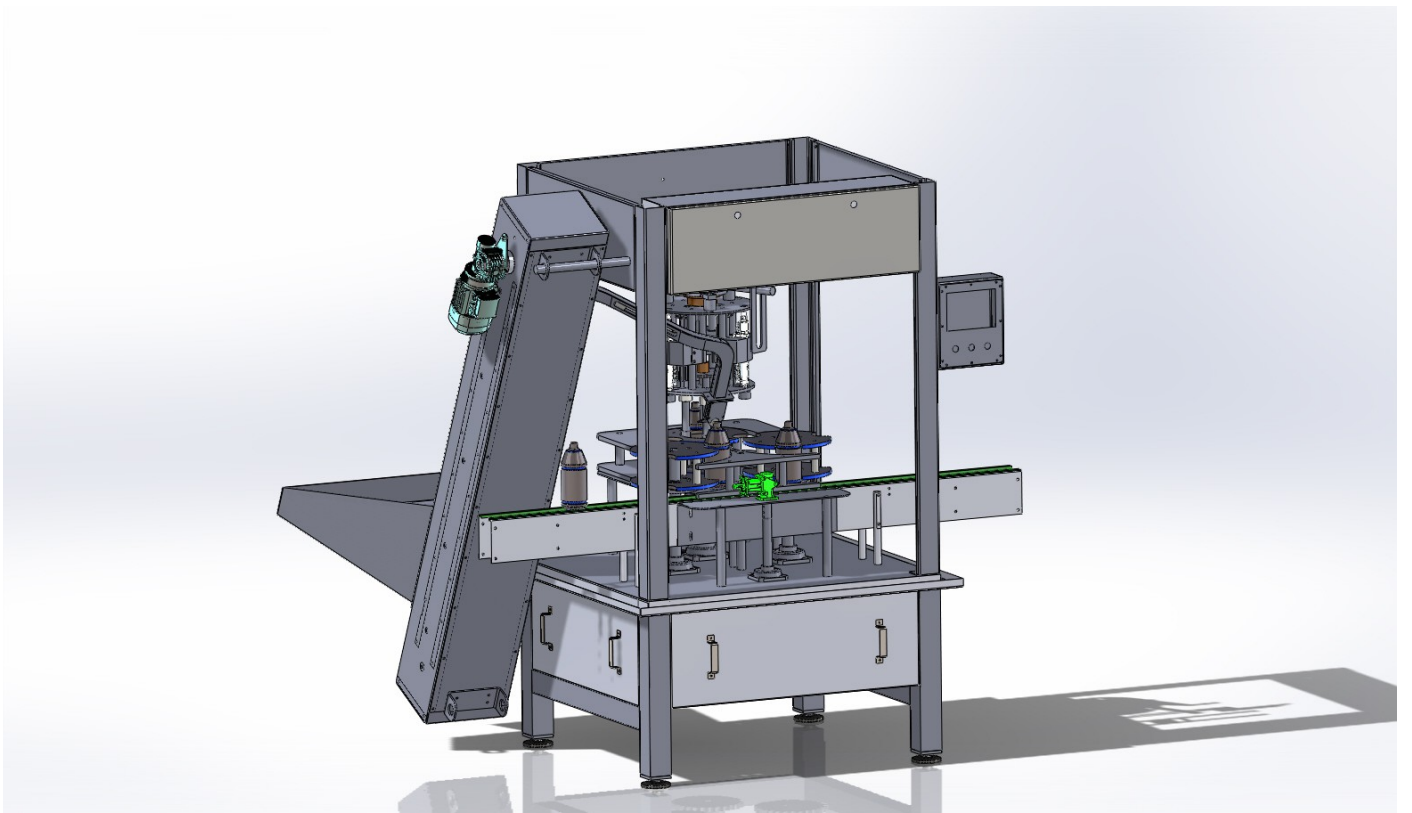
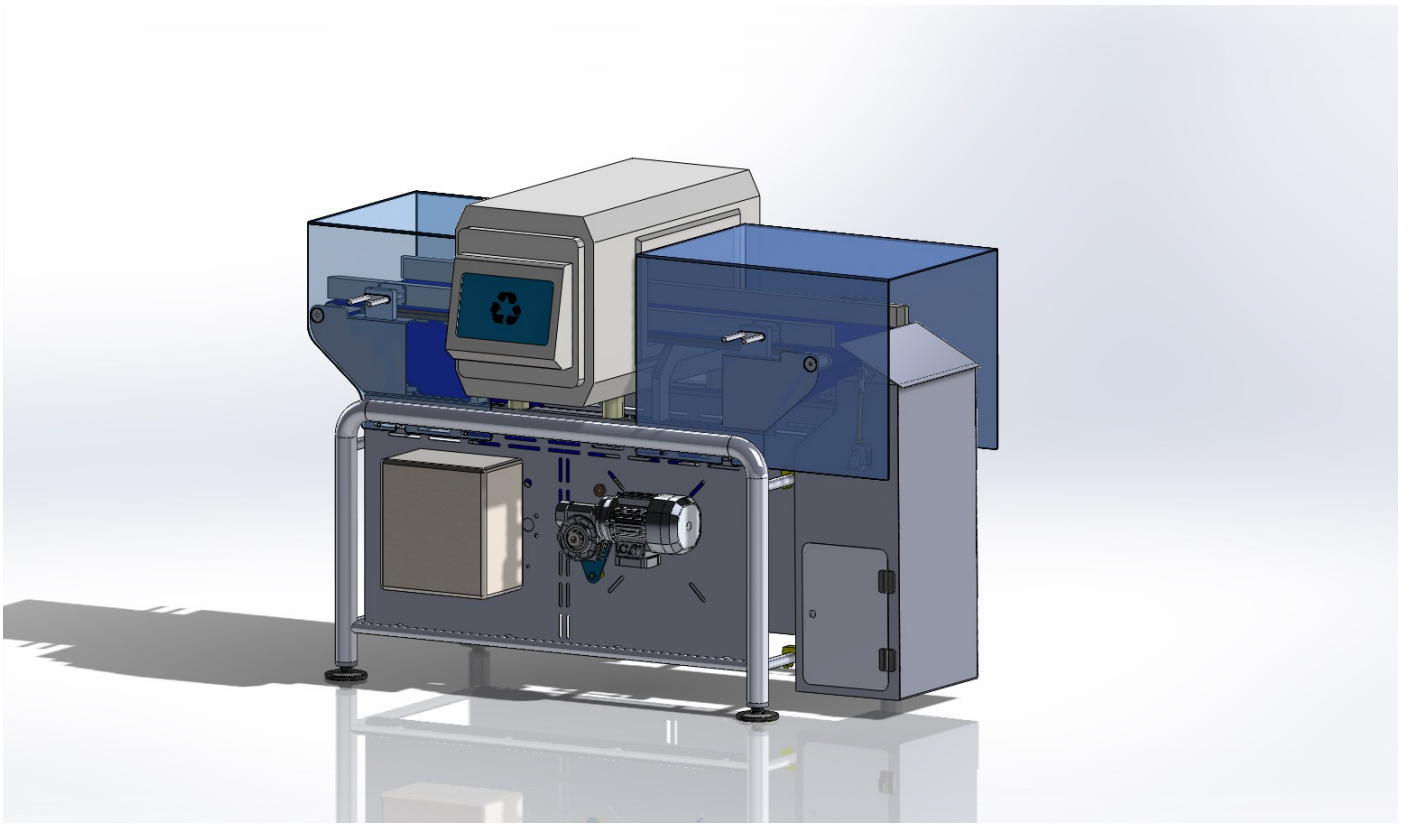
## **MACHINERY**

Tigre Solutions are capable of manufacturing a wide range of machinery to suit almost any product and container styles.

All machinery is designed on a powerful 3D rendering software package, which offers you the opportunity to visualise the exact appearance of your machine prior to manufacture. It also gives us an extreme advantage to ensuring that all components and functionality of the equipment is above industry standards and the equipment performs well above your expectations.

Some examples of our powerful CAD software below:





We are also fully capable of designing and manufacturing specialised equipment at your request.

Tigre Solutions aims to be able to provide complete solutions from start to finish of packaging lines, and is always currently developing new types of equipment related to the packaging industry.

Our machines are built with the intention of little or no maintenance by means of robust designs and the use of durable materials.

### **Types of Machinery**

- Piston / Volumetric Filler.
- Gear-Pump Filler.
- Load Cell / Weigh Filler.
- Flow Meter Filler.
- Gravity Level Filler, inline and rotary.
- Screw Cappers, inline and rotary.
- Snap Cappers.
- Self- Adhesive Labellers.
- Cap Un-scramblers / Chutes
- Cap Elevators
- In-Feed Tables
- Accumulation Tables
- Conveyors (Belt, Modular, Slat-band, Chain)

All machinery types have many options and will be offered to suit your needs, product and bottle styles. They range from basic table top, semi automatic models, to high speed, fully automatic lines.

## **SERVICES**

### **Machinery Rebuilds**

Tigre Solutions can refurbish and upgrade your existing equipment to improve the efficiency of your production. We can manage the entire project as follows:

- Un-Install existing equipment.
- Uplift equipment from your premises to ours.
- Refurbish and upgrade as per your request / quotation.
- Deliver and re-install the refurbished and upgraded equipment.

Please feel free to contact me to discuss any present or future projects. We look forward to hearing from you in the near future.

Thank You,

Manny Caldeira

-